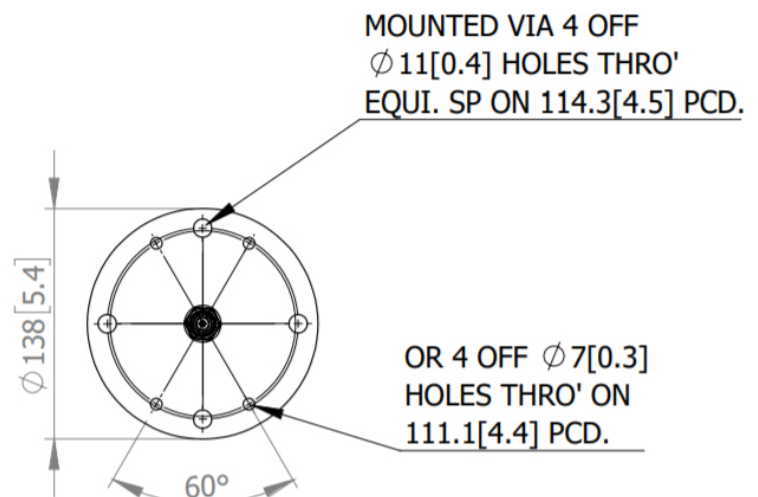



GVR5 Antenna Options

Band	Polarisation	Gain	P/N
L- & C-Band 1.35- 1.39 GHz & 4.4- 5.0 GHz	Vertical	L-Band: 3.5 dBi. C-Band: 5 dBi.	ANT-4017-GVR5
		L-Band: 6.2 dBi. C-Band: 5.2 dBi.	ANT-4021-GVR5
	Horizontal	L-Band: 4.5 dBi. C-Band: 5 dBi.	ANT-4018-GVR5
		L-Band: 6 dBi. C-Band: 6 dBi.	ANT-4020-GVR5
L- & S-Band 1.35- 1.39 GHz & 2.2- 2.5 GHz	Vertical	L-Band: 3 dBi. S-Band: 4 dBi.	ANT-4036-GVR5
		L-Band: 6 dBi. S-Band: 4 dBi.	ANT-4038-GVR5
	Horizontal	L-Band: 4 dBi. S-Band: 3.5 dBi.	ANT-4035-GVR5
		L-Band: 6 dBi. S-Band: 4 dBi.	ANT-4039-GVR5
S- & C-Band 2.2- 2.5 GHz & 4.4- 5.0 GHz	Vertical	S-Band: 4 dBi. C-Band: 6 dBi.	ANT-4109-GVR5
	Horizontal	S-Band: 3 dBi. C-Band: 5 dBi.	ANT-4110-GVR5

GVR5 Antenna Common Specifications

Connector	N-Type Female.
Finish	Black.
Type	Springbase.
Direction	Omnidirectional.
Temperature Rating	-40°C- +70°C.



 [GVR5_Antenna_Options_Datasheet_10_2020.pdf](#)
Steatite will work with our customers to gain a clear understanding of their application.

